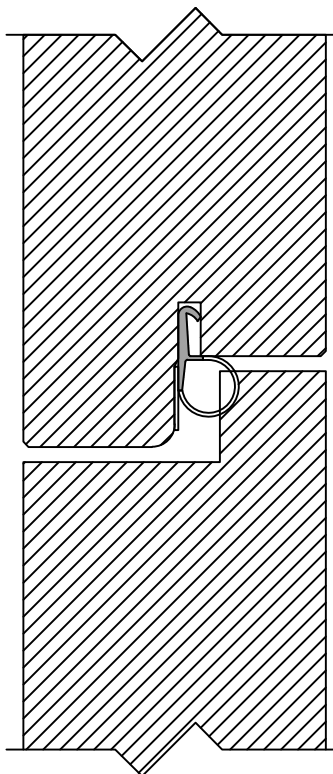


FOR PRESENTATION PURPOSE ONLY

DO NOT USE FOR INSTALLATION



DEKO TD door  
top block

DEKO TD door



**DEKO**

**Tlf./Tel:** +45 43 55 77 11

[www.deko.dk](http://www.deko.dk) / [www.deko.com](http://www.deko.com)

**Projekt/Project:**

DEKO

**Sags Nr./Case No.:**

**Emne/Subject:**

DEKO FG Nature

**Dato/Date:**

2020-03-06

**Tegn. Nr.**

1/1

**Sheet No.**

**Mål/Scale:** 1:1

L4J

Vertical section

**Revideret/Revision:**

2021-02-18-V01

**Signatur**

**Signature**

SIB